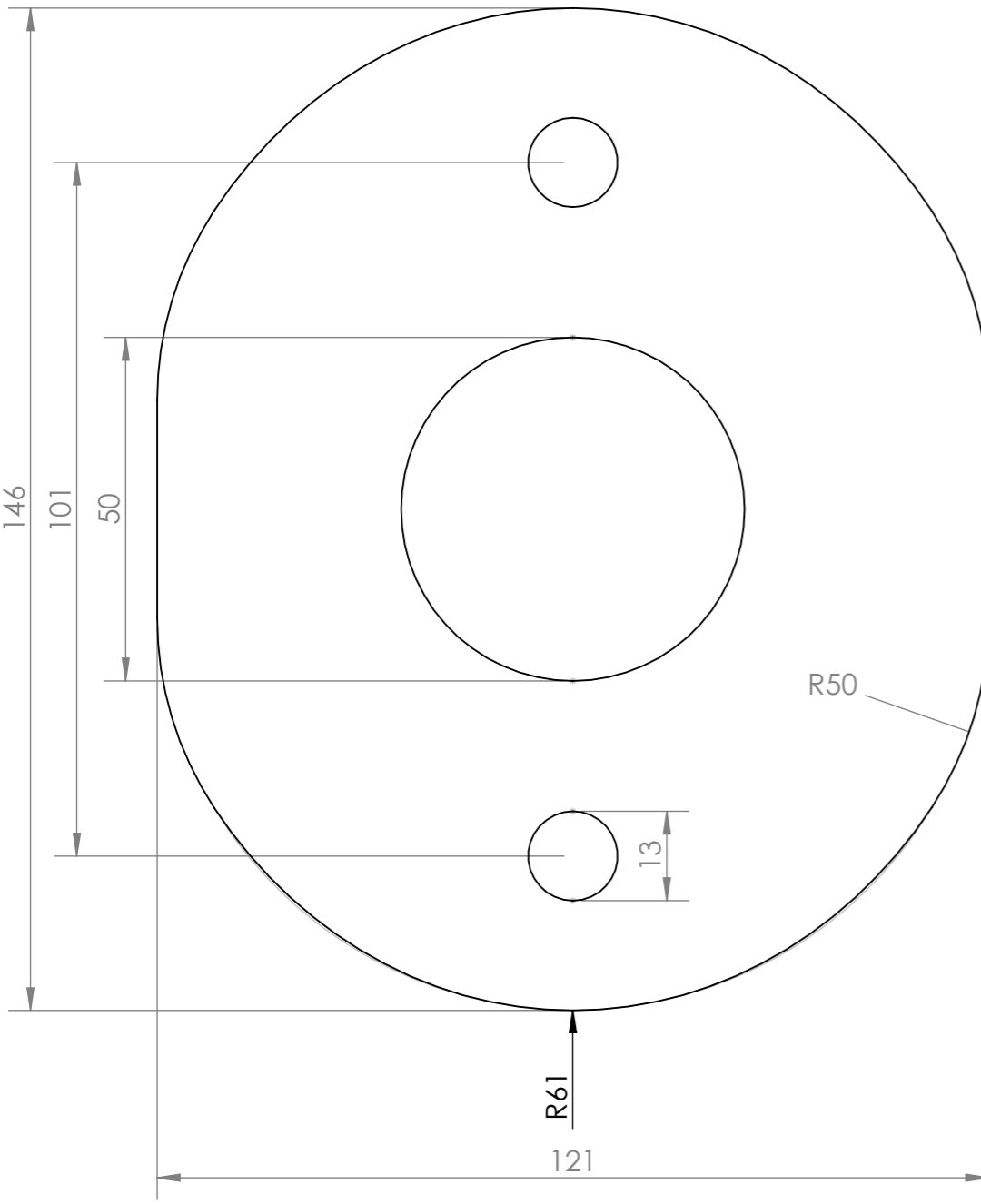
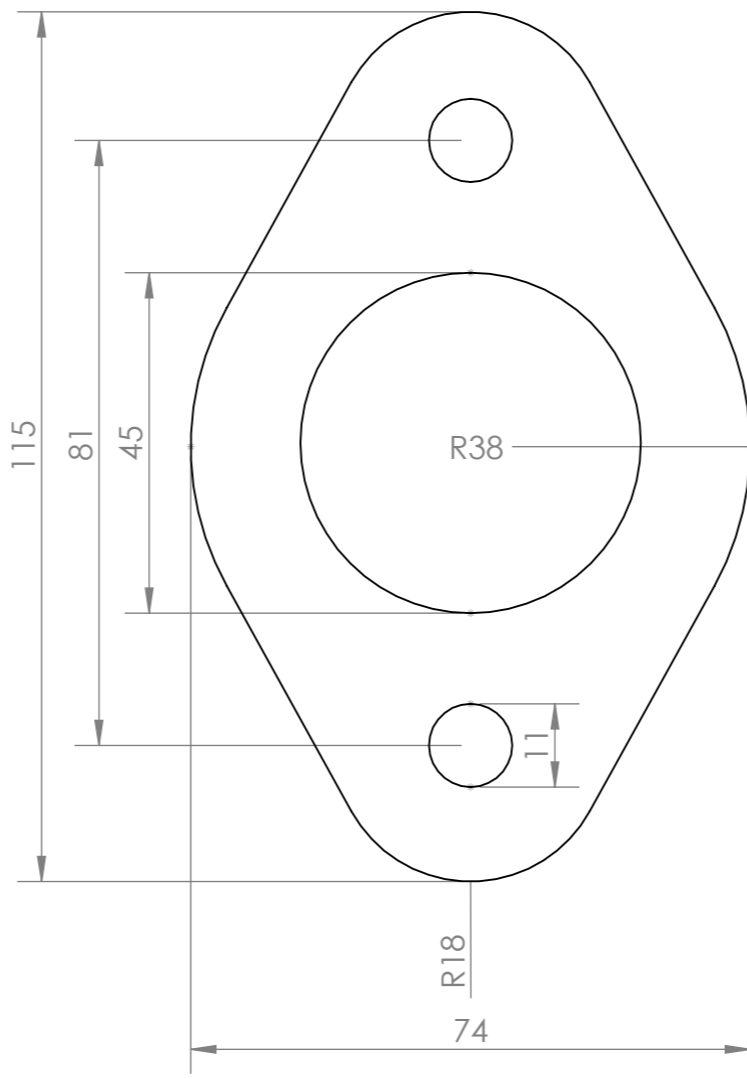


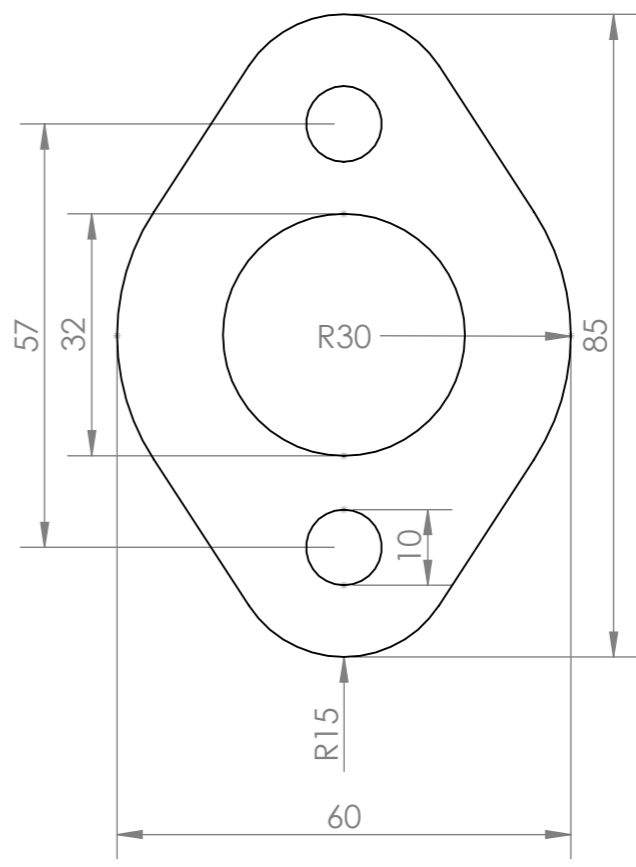
REVISIONS			
REV.	DESCRIPTION	DATE	APPROVED
B	310255 CT 34 / CT 45 - Ø27mm CHANGED TO Ø28.4mm DUE TO INCREASED CAP THICKNESS.	17.4.2026 r.	Martin Dragomirov



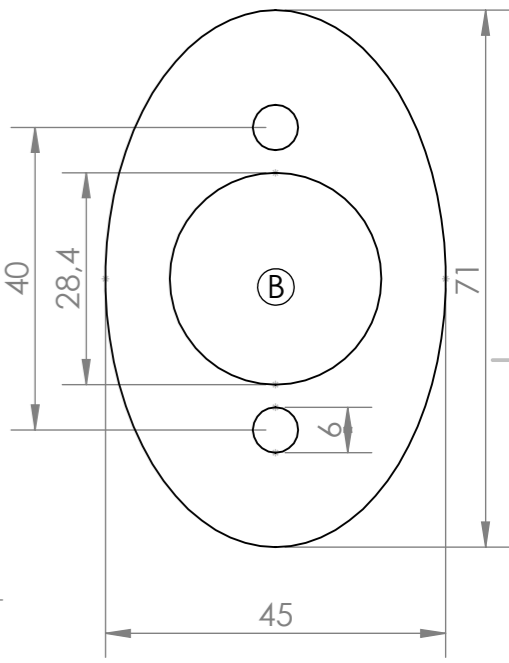
**CT 325**  
**636236**



**CT 165 / CT225**  
**310252**



**CT 60 / CT80**  
**CT 100 / CT 125**  
**310254**



**CT 35 / CT45**  
**310255**

		This drawing is our property and it is confidential. It cannot be reproduced or communicated without our written agreement. General dimension - Class or allowances UNI EN 22768 - m The piece must be free from sharp edges and shocks			
PRODUCT FAMILY DRIVE LEGS CT325, CT225, CT165, CT125, CT100, CT80, CT60, CT45, CT35		GASKETS			
SAP CODE-PART NUMBER 636236 - 310252 - 310254 - 310255	DRAWING FILE NAME 636236-310252-310254-310255-GASKETS-B	DESIGN DRAFTING BY PBE	DATE 10.03.2006		
MATERIAL CAF (Compressed Asbestos Fibre)	TREATMENT -	CHECK APPROVAL BY Martin Dragomirov	DATE 17.04.2026		
WEIGHT -	REVISION B	EXPLO.NR -		SCALE 1:1	SIZE A3